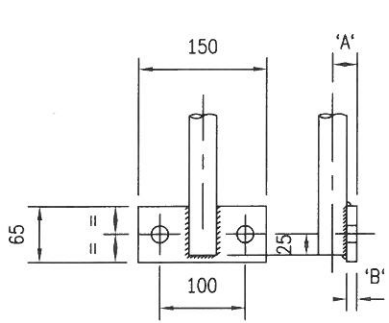


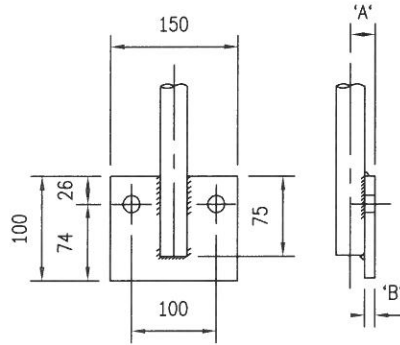
MATERIAL:

FINISH:

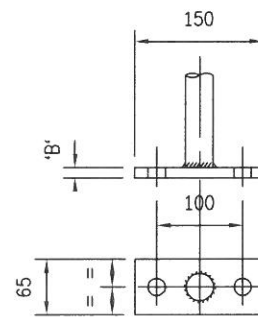
TYPICAL STANCHION BASE PLATE DETAILS



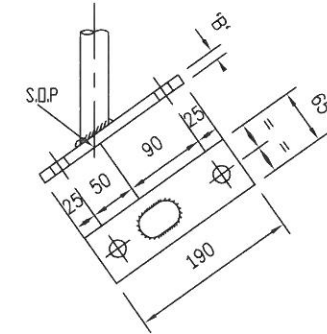
HORIZONTAL  
SIDE PALM-TYPE "A"



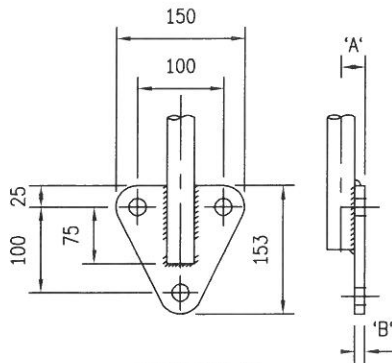
HORIZONTAL  
SIDE PALM-TYPE "FX"



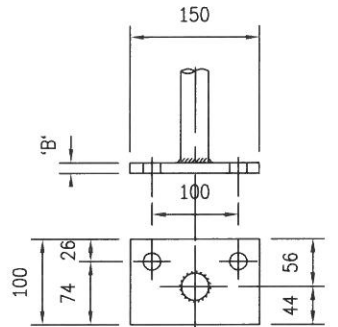
FLAT BASE-TYPE "D"



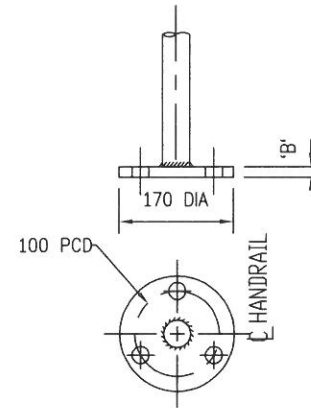
RAKED FLAT BASE  
TYPE "NX"



TRIANGULAR  
SIDE PALM-TYPE "F"



FLAT BASE-TYPE "GX"



CIRCULAR FLAT BASE  
TYPE "G"

STANDARD TYPE	'A'	'B'
25 N.B	29	12
32 N.B	33	12
40 N.B	36	12
40 N.B	39	15
32 DIA SOLID	28	12
38 DIA SOLID	31	12
38 DIA SOLID	34	15
45 DIA SOLID	38	15

TOLERANCES:  
ALL DIMENSIONAL TOLERANCES  
TO BE +/- 0.5mm

FOR DETAILS OF 50 N.B TUBULAR STANDARD  
BASE PLATES SEE DRG No. LKFL-STD-05  
MATERIAL TO BS EN 10025 1993 275  
ALL BASEPLATES FULLY WELDED TO SHANKS  
OF STANDARDS (6mm FILLETS )  
ALL HOLES 18mm DIA UNLESS STATED OTHERWISE

**LIONWELD KENNEDY**  
Marsh Road, Middlesbrough, Cleveland TS1 5JS  
Telephone 01642 245151 Fax 01642 224710 Telex 587279 LWAK G

DO NOT SCALE

IF IN DOUBT ASK

SUBJECT TYPICAL STANCHION  
Base plate Details

FIXING CLIPS  
SADDLE/STANDARD

REF. DRGS.

ISSUE	DATE	ISSUE	DATE	ISSUE	DATE	ISSUED FOR	DATE	SCALE	No. OF PANELS
02		01		00	05.09.09			1:20	
								CHECKED BY	APPROVED
								AC	L.Mc.
								DRG. No.	ISSUE
								LKFL-STD-33	00