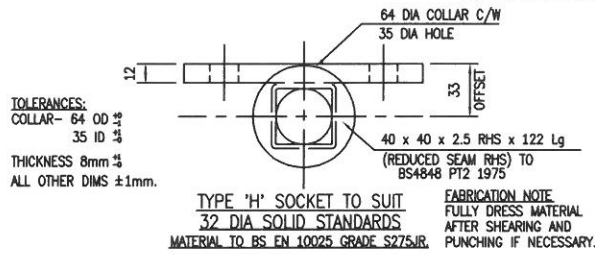
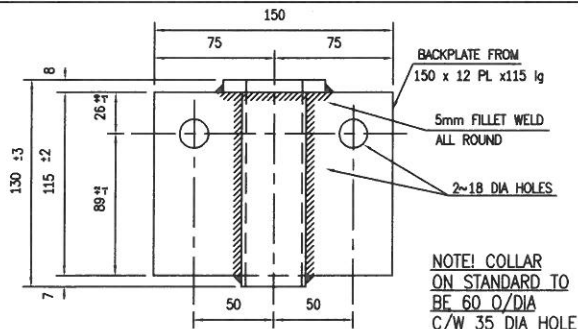
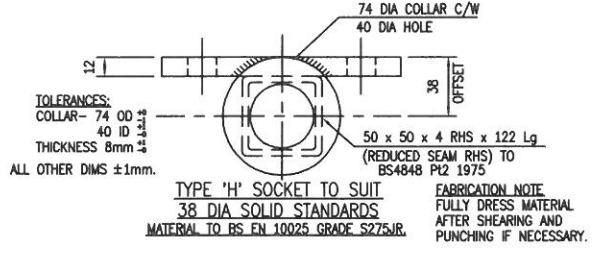
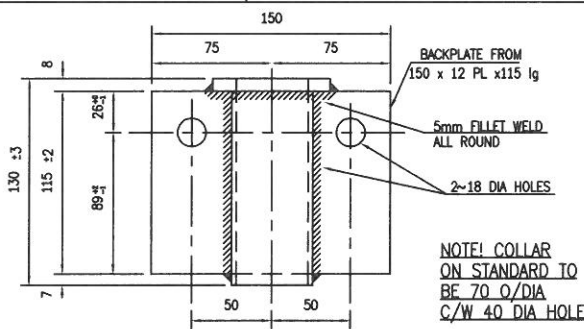


MATERIAL:

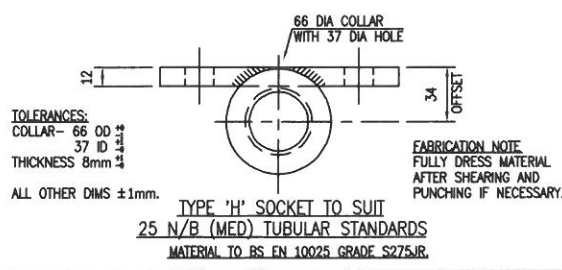
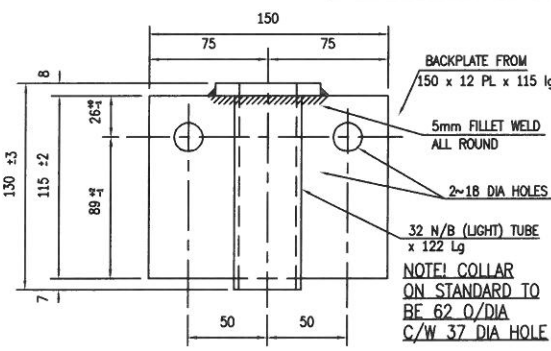
FINISH:



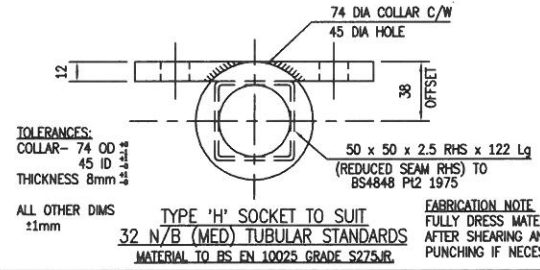
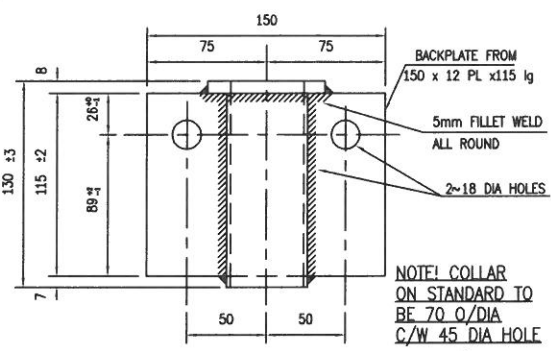
TYPE 'H' SOCKET TO SUIT  
32 DIA SOLID STANDARDS  
MATERIAL TO BS EN 10025 GRADE S275JR.



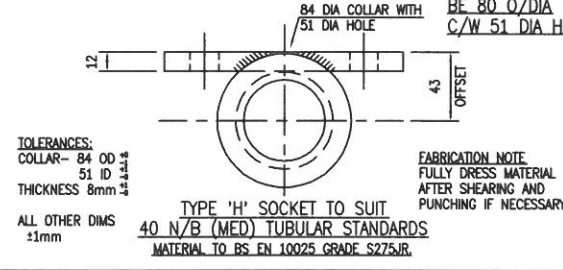
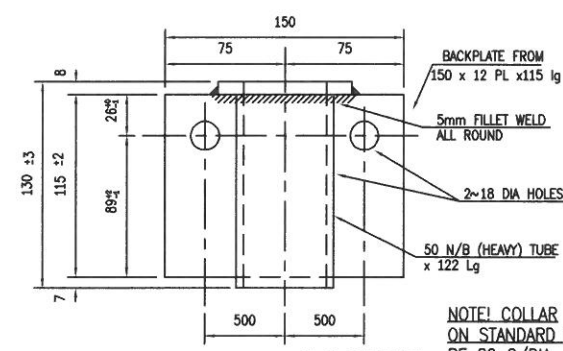
TYPE 'H' SOCKET TO SUIT  
38 DIA SOLID STANDARDS  
MATERIAL TO BS EN 10025 GRADE S275JR.



TYPE 'H' SOCKET TO SUIT  
25 N/B (MED) TUBULAR STANDARDS  
MATERIAL TO BS EN 10025 GRADE S275JR.



TYPE 'H' SOCKET TO SUIT  
32 N/B (MED) TUBULAR STANDARDS  
MATERIAL TO BS EN 10025 GRADE S275JR.



TYPE 'H' SOCKET TO SUIT  
40 N/B (MED) TUBULAR STANDARDS  
MATERIAL TO BS EN 10025 GRADE S275JR.



**LIONWELD KENNEDY**  
Marsh Road, Middlesbrough, Cleveland TS1 5JS  
Telephone 01642 245151 Fax 01642 224710 Telex 587279 LWAK G

**DO NOT SCALE**

**IF IN DOUBT ASK**

REF. DRGS.

SUBJECT  
**TYPE H  
Socket Detail**

FIXING CLIPS  
SADDLE/STANDARD

No OFF	TYPE	No OFF	TYPE

SCALE	1:20	No. OF PANELS	
DRAWN BY	RSC	DATE	16/08/10
CHECKED BY	AC	APPROVED	L.Mc.

CLIENT:	ISSUE	DATE	ISSUE	DATE	ISSUE	ISSUED FOR	DATE
	02		01		00		05.09.09

DRG. No. **LKFL-STD-38 00**