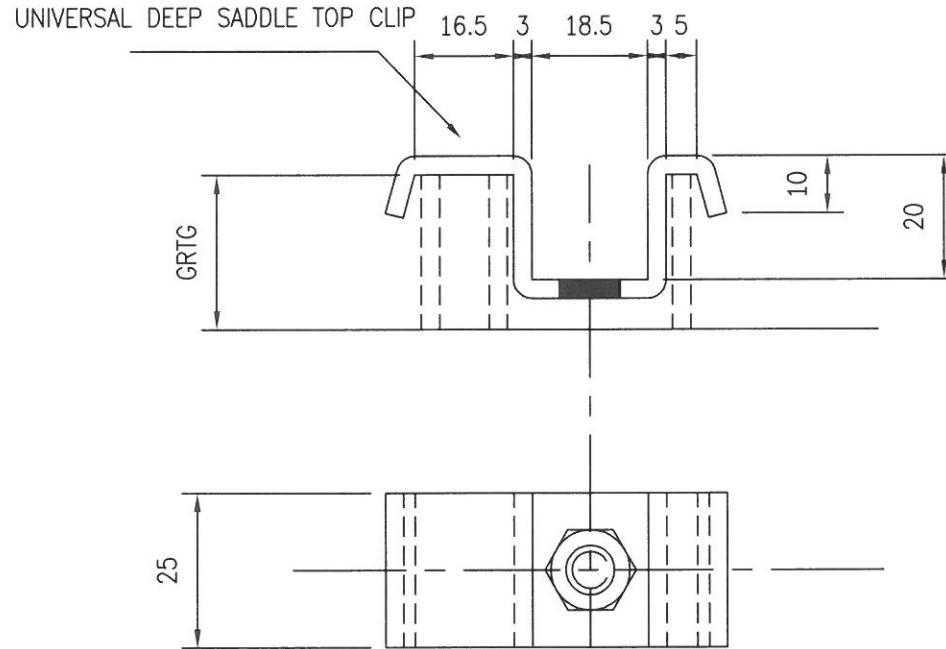


MATERIAL:

FINISH:



NOTE:- ALL RADII TO BE MINIMUM PRACTICAL
 A 12/13 THIN WALL BOX SPANNER IS REQUIRED TO TIGHTEN M8 NUT (REF MELCO TM9 12/13)

MATERIAL:- 3mm THK MS FLAT TO BS4360 GRD 43A GALVANISED SADDLE CLIP

ALL DIMENSIONS ± 0.25mm



LIONWELD KENNEDY

Marsh Road, Middlesbrough, Cleveland TS1 5JS
 Telephone 01642 245151 Fax 01642 224710 Telex 587279 LWAK G

DO NOT SCALE

IF IN DOUBT ASK

REF. DRGS.

SUBJECT UNIIVERSAL DEEP SADDLE TOP CLIP

FIXING CLIPS SADDLE/STANDARD

No OFF	TYPE	No OFF	TYPE

SCALE	1:20	No. OF PANELS	
DRAWN BY	RSC	DATE	16/08/10
CHECKED BY	AC	APPROVED	L.Mc.
DRG. No.	LKFL-STD-60	ISSUE	00

CLIENT:

ISSUE	DATE	ISSUE	DATE	ISSUE	ISSUED FOR	DATE
02		01		00		05.09.09