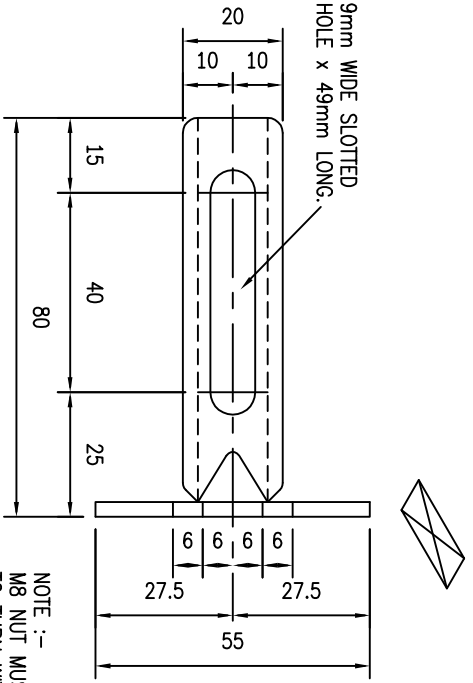


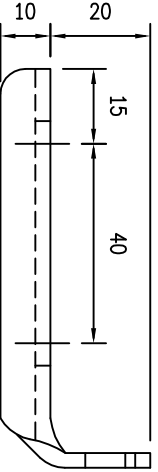
MATERIAL:

FINISH:

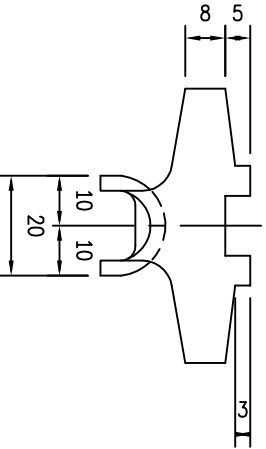


FABRICATED OUT OF 3.0mm THICK MATERIAL.  
 ALL DIMENSIONS SUBJECT TO A TOLERANCE OF  $\pm 1.0$ mm.  
 IF REQUIRED, MATERIAL CAN BE OUT OF STAINLESS STEEL GRADE 304S31 MINIMUM.

NOTE :-  
 M8 NUT MUST NOT BE ALLOWED TO TURN WITHIN THE CHANNEL.



MATERIAL :- LOW CARBON STEEL (HRGP),  
 FINISH :- HOT DIPPED GALVANISED.



DETAILS OF TYPE 'S' FIXING CLIP FOR OPEN BAR GRATING.



**LIONWELD KENNEDY**

Marsh Road, Middlebrough, Cleveland TS1 5JS  
 Telephone 01642 245151 Fax 01642 224710 Telex 587279 LMKK G

**DO NOT SCALE**

**IF IN DOUBT ASK**

REF. DRGS.

SUBJECT STANDARD TYPE 5 BOTTOM PLATE

FIXING CLIPS SADDLE/STANDARD

No OFF TYPE	No OFF TYPE

SCALE 1:20  
 DRAWN BY RSC  
 CHECKED BY AC

No. OF PANELS  
 DATE 6/08/10  
 APPROVED L.M.C.

CLIENT:

ISSUE	DATE	ISSUE	DATE	ISSUE	ISSUED FOR	DATE
02		01		00		05.08.09

DRG. No. LKFL-STD-63 00