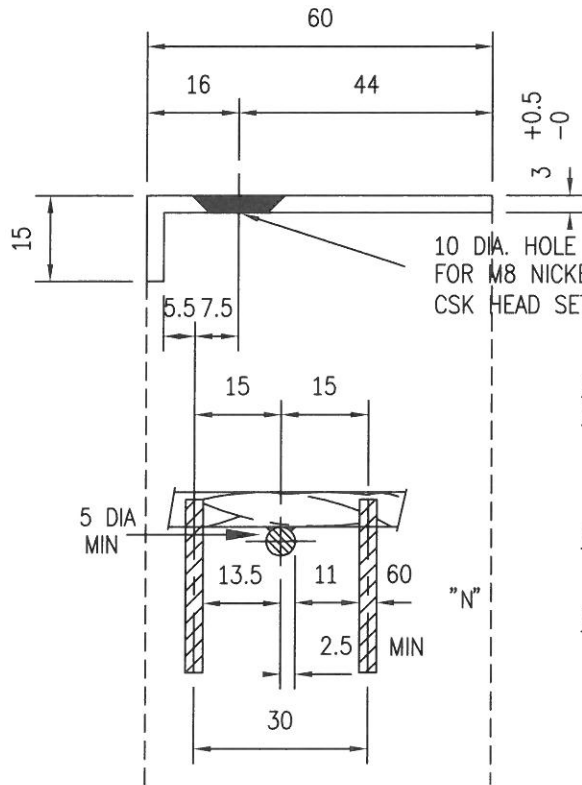


MATERIAL:

FINISH:



"N"

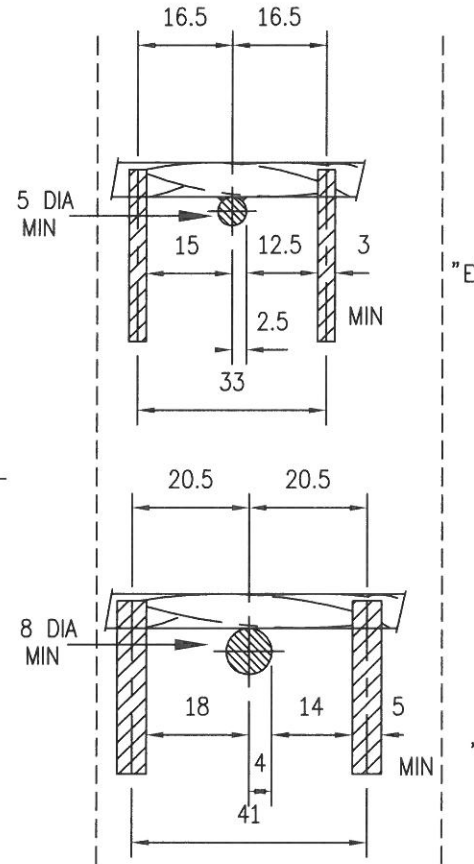
CLIP FABRICATED OUT OF 30 X 3  
MS FLAT X 75 LG.

SCALE: 1:1

FINISH: HOT DIP GALVANISED

MATERIAL: LOW CARBON STEEL  
TO BS EN 10 025  
GRACE S275JR

Tolerances  $\pm$  0.5mm U.N.O.



"E"

"W"

DETAILS OF SPECIAL TOP CLIP TYPE "SG1"  
TO SUIT SAFETY GRATING TYPE  
"N", "E" & "W" CENTRES OF LOAD BEARING BARS



LIONWELD KENNEDY

Marsh Road, Middlesbrough, Cleveland TS1 5JS

Telephone 01642 245151 Fax 01642 224710 Telex 587279 LWAK G

DO NOT SCALE

IF IN DOUBT ASK

REF. DRGS.

SUBJECT STANDARD SG TOP CLIP  
SAFETY GRATING

FIXING CLIPS  
SADDLE/STANDARD

No OFF	TYPE	No OFF	TYPE

SCALE 1:20

No. OF  
PANELS

DRAWN BY RSC

DATE 16/08/10

CLIENT:

ISSUE	DATE	ISSUE	DATE
02		01	

ISSUED FOR

CHECKED BY AC

APPROVED L.Mc.

05.09.09

DRG. No. LKFL-STD-65 00