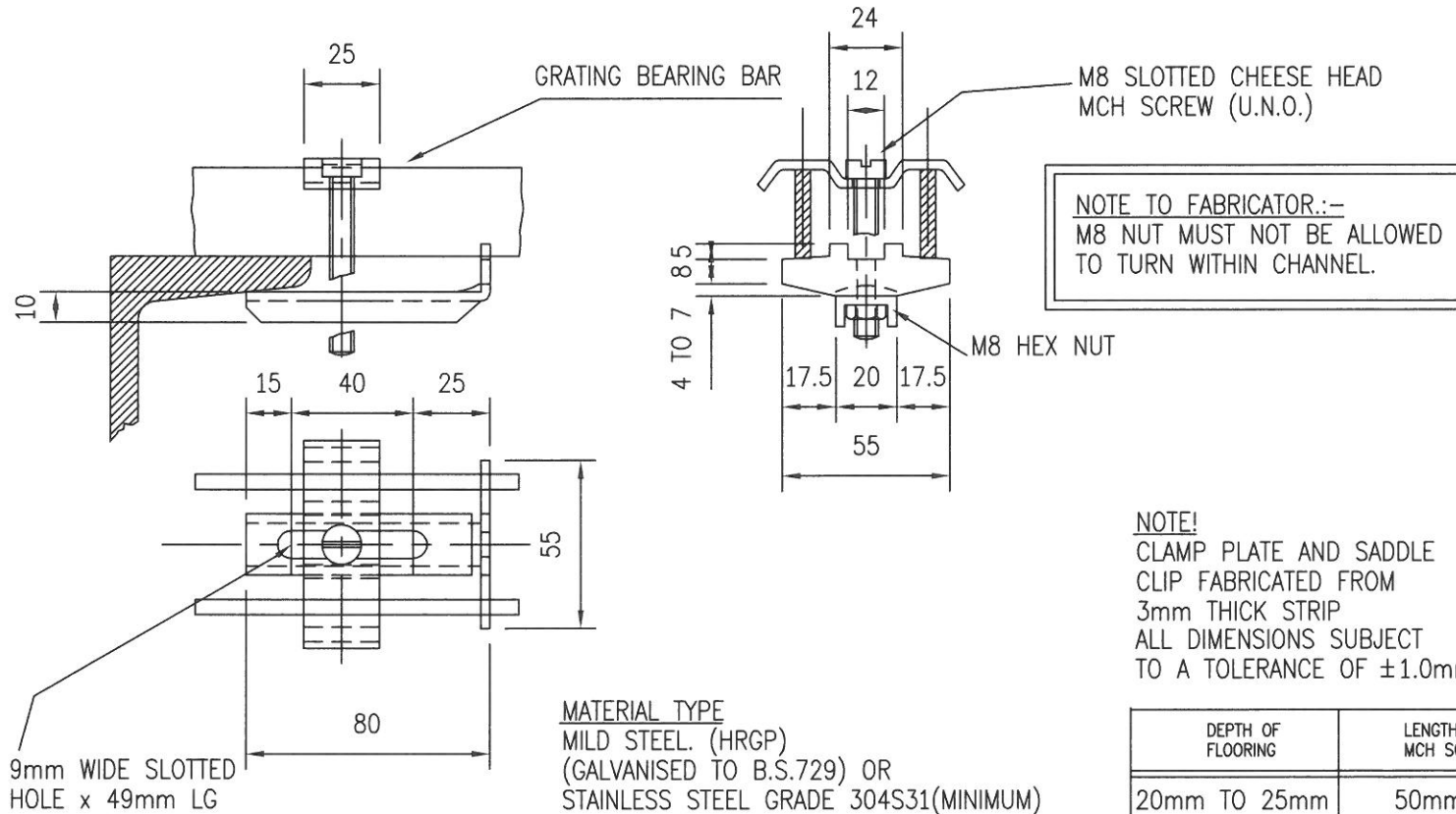


MATERIAL:

FINISH:



NOTE!
CLAMP PLATE AND SADDLE
CLIP FABRICATED FROM
3mm THICK STRIP
ALL DIMENSIONS SUBJECT
TO A TOLERANCE OF ±1.0mm

TYPE "5" FIXING CLIP DETAIL
FOR OPEN TYPE GRATING



LIONWELD KENNEDY

Marah Road, Middlesbrough, Cleveland TS1 5JS
Telephone 01642 245151 Fax 01642 224710 Telex 587279 LWAK G

DO NOT SCALE

IF IN DOUBT ASK

REF. DRGS.

SUBJECT STANDARD TYPE 5 CLIP ASSEMBLY

FIXING CLIPS
SADDLE/STANDARD

No OFF	TYPE	No OFF	TYPE

SCALE 1:20

No. OF PANELS

DRAWN BY RSC

DATE 16/08/10

CLIENT:

ISSUE	DATE	ISSUE	DATE	ISSUE	DATE
02		01		00	

ISSUED FOR

DRG. No. 05.09.09

CHECKED BY AC

APPROVED L.Mc.

ISSUE LKFL-STD-75 00