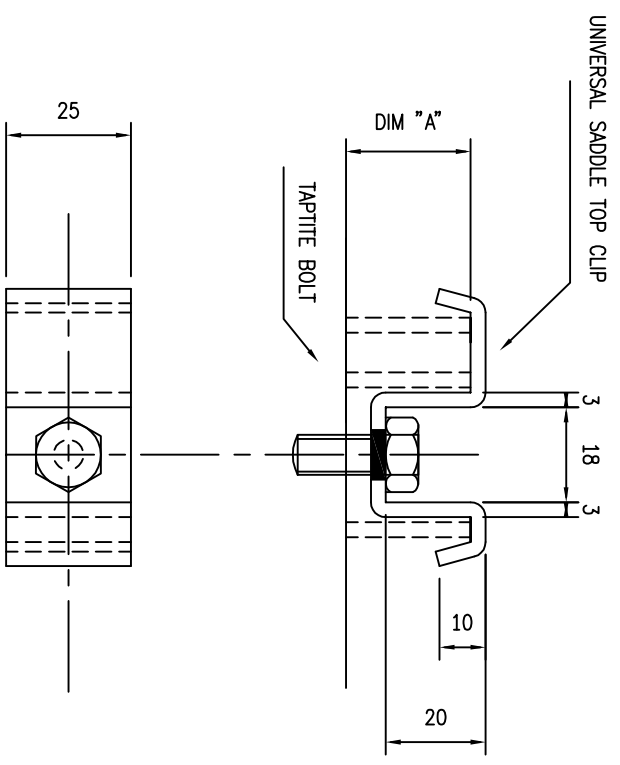


MATERIAL:

FINISH:



NOTE:- ALL RADII TO BE MINIMUM PRACTICAL

A 12/13 THIN WALL BOX SPANNER IS REQUIRED TO TIGHTEN M8 BOLT (REF MELCO TM9 12/13)

MATERIAL:- 3mm THK MS FLAT TO BS4360 GRD 43A GALVANISED SADDLE CLIP

ALL DIMENSIONS ± 0.25mm

| DEPTH OF GRATING DIM "A" | TAP TIGHT BOLT |
|--------------------------|----------------|
| 25 | |
| 30 | |
| 35 | |
| 40 | |
| 50 | |

DO NOT SCALE IF IN DOUBT ASK

REF. DRGS.

SUBJECT STANDARD TYPE 5 CLIP ASSEMBLY

FIXING CLIPS SADDLE/STANDARD

| No OF TYPE | No OF TYPE |
|------------|------------|
| | |

| SCALE | No. OF PANELS |
|-------|---------------|
| 1:20 | |

| CLIENT: | DATE | ISSUE | DATE | ISSUE | DATE | ISSUE | ISSUED FOR | DATE | DRG. No | APPROVED | ISSUE |
|---------|------|-------|------|-------|------|-------|------------|----------|-------------|----------|-------|
| 02 | | 01 | | 00 | | | | 05.09.09 | LKFL-STD-76 | AC | 00 |



LIONWELD KENNEDY

Marsh Road, Middlesbrough, Cleveland TS1 5JS
Telephone 01642 245151 Fax 01642 224710 Telex 587279 LMK G