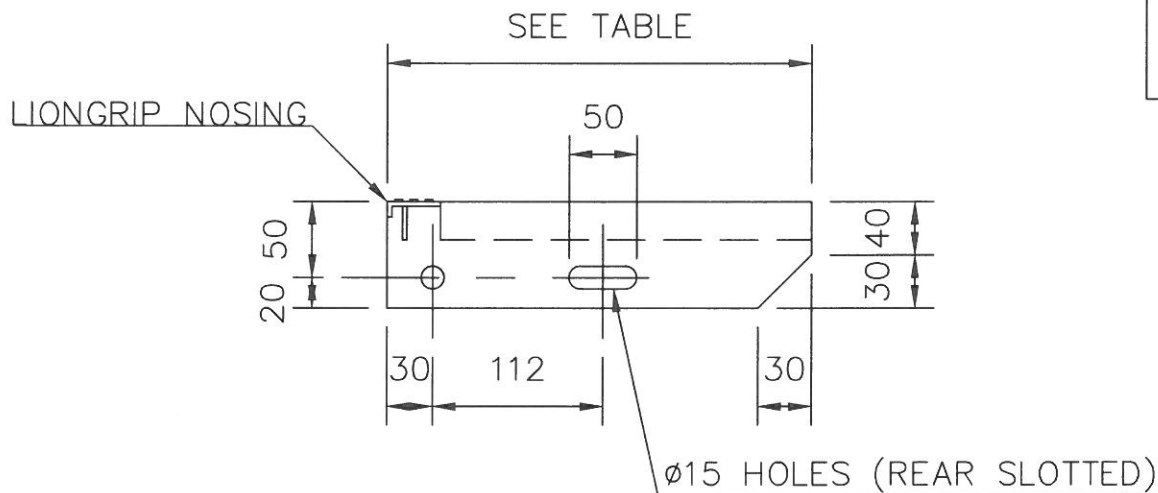


NOTE.  
 GRATING DEPTH EXCEEDING 35mm DEEP  
 TO HAVE 80mm DEEP ENDPLATES  
 WITH DRILLING 60mm DOWN FROM TOP.



STANDARD END PLATE DRILLING.

STANDARD WIDTH TABLE	
TYPE W (41mm CTRS)	206mm
	247mm
	288mm
	329mm
TYPE N (30mm CTRS)	222mm
	252mm
	282mm
	312mm

**LIONWELD KENNEDY**  
 Marsh Road, Middlesbrough, Cleveland TS1 5JS  
 Telephone 01642 245151 Fax 01642 224710 Telex 587279 LWAK G

TITLE:~ STANDARD TREAD END PLATE				SKETCH No. ST1
Drawn By:~ JH.	Scale:~ 1:1	Authorised By:~ D ROBINSON	Date:~ 26/2/08	ISSUE 00