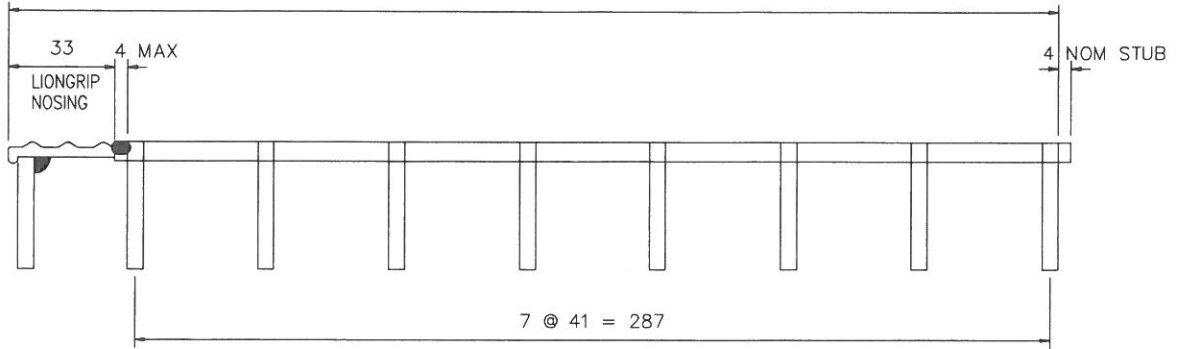
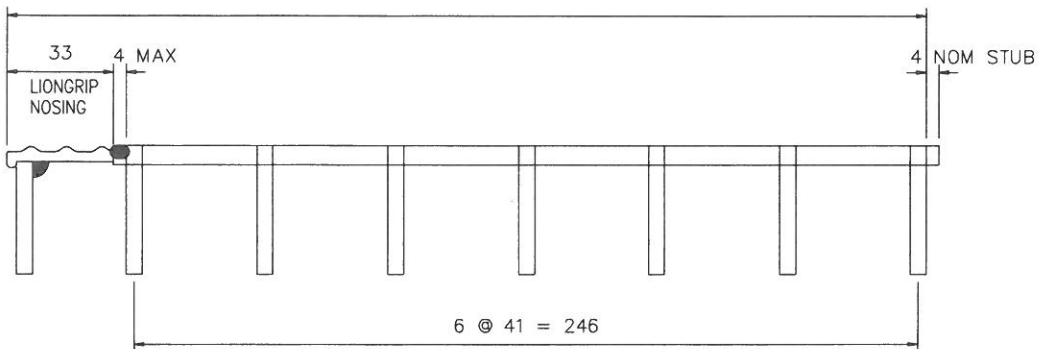


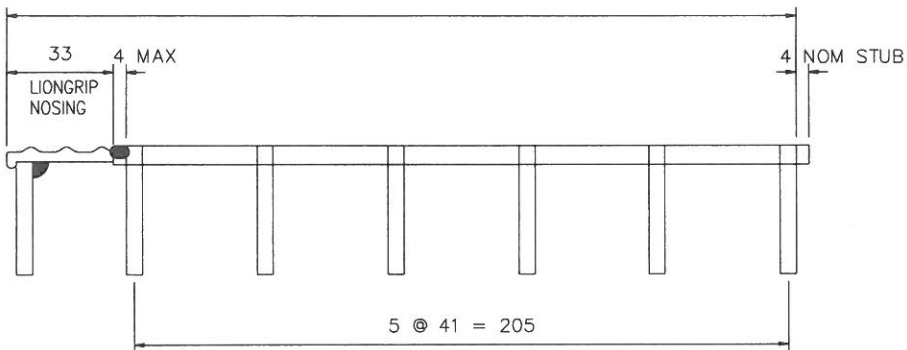
329 NOMINAL WIDTH OF TREAD (BASED ON 5 THICK BEARING BARS)



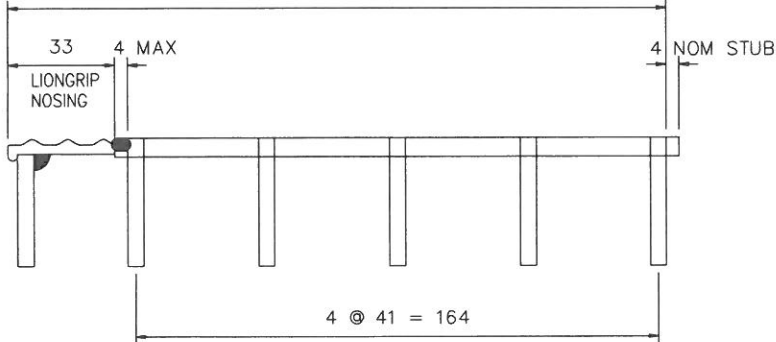
288 NOMINAL WIDTH OF TREAD (BASED ON 5 THICK BEARING BARS)



247 NOMINAL WIDTH OF TREAD (BASED ON 5 THICK BEARING BARS)



206 NOMINAL WIDTH OF TREAD (BASED ON 5 THICK BEARING BARS)



LIONWELD KENNEDY

Marsh Road, Middlesbrough, Cleveland TS1 5JS
Telephone 01642 245151 Fax 01642 224710 Telex 587279 LWAK G

TITLE:~

RGL "W" TYPE STAIRTREAD WITH LIONGRIP NOSING

Drawn By:~

G.MULLINS

Scale:~

Authorised By:~

L.McINNES

Date:~

JAN '07

SKETCH
No.

M147

ISSUE

00